

DS-2CD1023G0E-I 2 MP IR Fixed Network Bullet Camera



Key Features

- 1/2.8" progressive scan CMOS
- 1920 × 1080@30fps
- 2.8 mm/4 mm fixed lens
- 3D DNR
- Up to 30 m IR range
- IP67



Specification

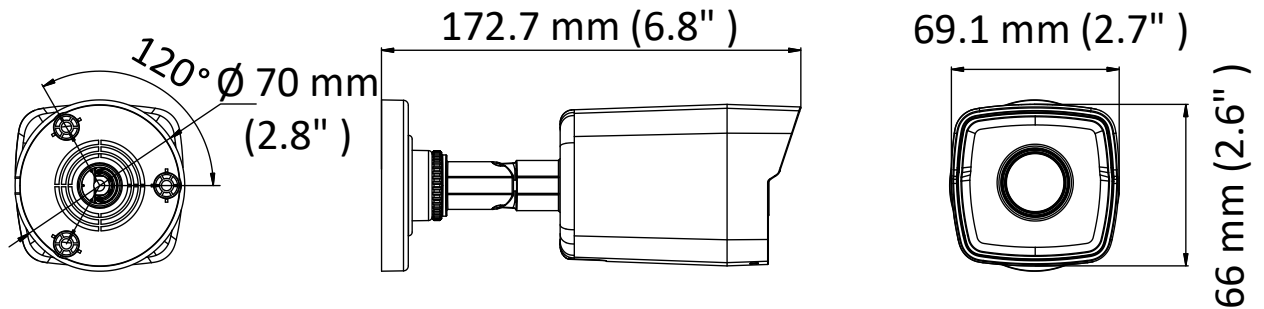
| Camera | |
|--------------------------------|---|
| Image Sensor | 1/2.8" progressive scan CMOS |
| Min. Illumination | Color: 0.01 Lux @(F1.2, AGC ON), 0.028Lux @ (F2.0, AGC ON) |
| Shutter Speed | 1/3 s to 1/100,000 s |
| Slow Shutter | Yes |
| Auto-Iris | No |
| Day&Night | IR cut filter |
| Digital Noise Reduction | 3D DNR |
| WDR | DWDR |
| Angle Adjustment (Bracket) | Pan: 0° to 360°, tilt: 0° to 180°, rotation: 0° to 360° |
| Lens | |
| Focal length | 2.8 mm, 4 mm |
| Aperture | F2.0 |
| Focus | Fixed |
| FOV | 2.8 mm, horizontal FOV 114.8°, vertical FOV 62°, diagonal FOV 135.5° 4 mm, horizontal FOV 86°, vertical FOV 46.5°, diagonal FOV 102.5° |
| Lens Mount | M12 |
| IR | |
| IR Range | Up to 30 m |
| Wavelength | 850 nm |
| Compression Standard | |
| Video Compression | Main stream: H.265/H.264 Sub stream: H.265/H.264/MJPEG |
| H.264 Type | Main Profile/High Profile/Baseline Profile |
| H.265 Type | Main Profile |
| Video Bit Rate | 32 Kbps to 8 Mbps |
| Smart Feature-set | |
| Region of Interest | 1 fixed region for main stream |
| Image | |
| Max. Resolution | 1920 × 1080 |
| Main Stream Max. Frame Rate | 50Hz: 25fps (1920 × 1080, 1280 × 960, 1280 × 720) 60Hz: 30fps (1920 × 1080, 1280 × 960, 1280 × 720) |
| Sub-stream Max. Frame Rate | 50Hz: 25fps (640 × 480, 640 × 360, 320 × 240) 60Hz: 30fps (640 × 480, 640 × 360, 320 × 240) |
| Image Enhancement | BLC, 3D DNR |
| Image Settings | Saturation, brightness, contrast, sharpness, AGC, white balance adjustable by client software or web browser |
| Day/Night Switch | Auto, scheduled, day, night |
| Network | |
| Alarm Trigger | Motion detection, video tampering alarm, illegal login |
| Protocols | TCP/IP, ICMP, HTTP, HTTPS, DHCP, DNS, RTP, RTSP, RTCP, NTP, IGMP, QoS, UDP |
| General Function | Anti-flicker, heartbeat, mirror, password protection, privacy mask, watermark |
| Firmware Version | V5.5.70 |
| API | ONVIF (PROFILES), ISAPI |
| Simultaneous Live View | Up to 6 channels |
| User/Host | Up to 32 users 3 levels: Administrator, Operator, and User |

| | |
|-------------------------------|--|
| Client | iVMS-4200, Hik-Connect, iVMS-5200, iVMS-4500 |
| Web Browser | IE8+, Chrome 31.0-44, Firefox 30.0-51, Safari 8.0+ |
| Interface | |
| Communication Interface | 1 RJ45 10M/100M self-adaptive Ethernet port |
| General | |
| Operating Conditions | -30 °C to 60 °C (-22 °F to 140 °F), humidity: 95% or less (non-condensing) |
| Power Supply | 12 VDC ± 25%, 5.5 mm coaxial power plug PoE (802.3af, class 3) |
| Power Consumption and Current | 12 VDC, 0.3 A, Max: 3.5 W PoE: (802.3af, 36 V to 57 V), 0.2 A to 0.1 A, Max: 4.5 W |
| Protection Level | IP67 |
| Material | Front cover: metal, back cover & bracket: plastic |
| Dimensions | Camera: Ø 70 mm × 172.7mm (2.8" × 6.8") With package: 216 mm × 121 mm × 118 mm (8.5" × 4.8" × 4.6") |
| Weight | Camera: Approx. 270 g (0.6 lb.) With package: Approx. 510 g (1.1 lb.) |

Available Model

DS-2CD1023G0E-I (2.8/4 mm)

Dimension



Accessory



**DS-1280ZJ-XS
Junction Box**

Distributed by



HIKVISION®

Headquarters

No.555 Qianmo Road, Binjiang District,
Hangzhou 310051, China
T +86-571-8807-5998
overseasbusiness@hikvision.com

Hikvision USA
T +1-909-895-0400
sales.usa@hikvision.com

Hikvision Italy
T +39-0438-6902
info.it@hikvision.com

Hikvision Singapore
T +65-6684-4718
sg@hikvision.com

Hikvision Africa
T +27 (10) 0351172
sale.africa@hikvision.com

Hikvision Europe
T +31-23-55-42-770
info.eu@hikvision.com

Hikvision France
T +33(0)1-85-330-450
info.fr@hikvision.com

Hikvision Oceania
T +61-2-8599-4233
salesau@hikvision.com

Hikvision Hong Kong
T +852-2151-1761

Hikvision Middle East
T +971-4-8816086
salesme@hikvision.com

Hikvision Spain
T +34-91-737-16-55
info.es@hikvision.com

Hikvision Canada
T +1-909-895-0400
sales.usa@hikvision.com

Hikvision Russia
T +7-495-669-67-99
saleru@hikvision.com

Hikvision Poland
T +48-22-460-01-50
potand@hikvision.com

Hikvision Korea
T +82-31-731-8841
sales.korea@hikvision.com

Hikvision India
T +91-22-28469900
sales@pramahikvision.com

Hikvision UK
T +01628-902140
support.uk@hikvision.com

Hikvision Brazil
T +55 11 3318-0050
Latam.support@hikvision.com