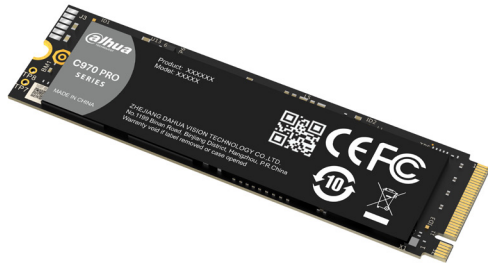


DHI-SSD-C970PN1TB

NVMe M.2 PCIe Gen4x4 Solid State Drive



- Original, high-quality DDR4 cache and 3D NAND Flash memory chip
- PCIe Gen4.0x4. Data transmission speed up to 7400 MB/s
- NVMe1.4 protocol
- 4K LDPC
- Reliable and fast end-to-end data

System Overview

As a new generation of NVMe SSD flagship product, Dahua C970 PRO series adopts high-performance PCIe Gen4.0 controller IG5236, original high-quality DDR4 cache and 3D NAND Flash memory chip into its design. It has an 8-channel high-speed data transmission system, and a data transmission speed up to 7400 MB/s. Its advanced hybrid intelligent temperature control algorithm ensures that the controller and flash memory chip remain stable, working efficiently for a long time even while taking a heavy workload from the read/write state.

Scene

Designed for tech-savvy high-end users, gamers and professionals, Dahua C970 PRO series NVMe M.2 SSD is suitable for use in environments with heavy workloads, such as with video creating and editing.

Technical Specification

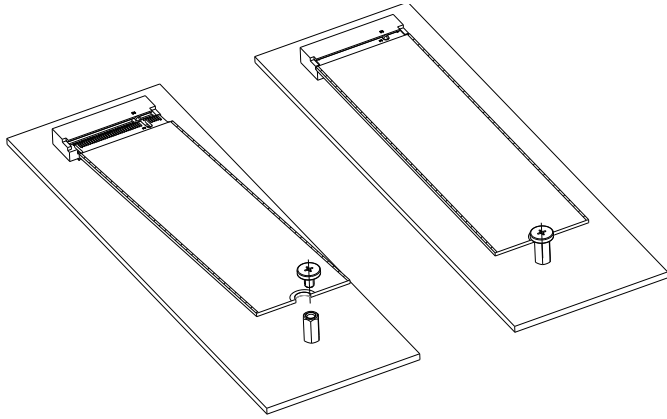
Product Model	DHI-SSD-C970PN1TB
Capacity ¹	1024 GB
Form Factor	M.2 2280
Port	PCIe Gen 4.0 x 4
Net Weight	Max. 8 g (0.02 lb)
Product Dimensions ²	80.00 mm × 22.00 mm × 3.60 mm (3.15" × 0.87" × 0.14")
Packaging Dimensions	140.5 mm × 105.5 mm × 15.50 mm (5.53" × 4.15" × 0.61")
Memory Component	3D TLC
Power Consumption ³	5.97 W (max); 1.88 W (idle)
S.M.A.R.T	Yes
TRIM	Yes
Garbage Collection	Yes

Sequential Read ³	Up to 7,400 MB/s
Sequential Write ³	Up to 5,200 MB/s
4K Random Read ³	Up to 844,000
4K Random Write ³	Up to 940,000
MTBF	1,500,000 hours
Operating Temperature	0 °C to +70 °C (+32 °F to +158 °F)
Storage Temperature	-40 °C to +85 °C (-40 °F to +185 °F)
Operating Humidity	5%–95% (non-condensing)
Vibration Resistance	1-1000 Hz, 2.4 G
TBW	500 TB
Warranty ⁴	3-year limited warranty
Reference Information	<ol style="list-style-type: none"> 1. Capacity calculation: 1 GB = 1 billion bytes (IDEMA). Actual available capacity might be reduced (due to formatting, partition, operating system applications, or other necessary usage). 2. The dimensions are after installing cooling plate. 3. System configuration of performance test: Chip-AMD Ryzen 5 5600X 6-Core Processor 70 GHz, 8G-DDR4, operating system-Windows 10 x64, testing tool-CrystalDiskMark 6.0.0 x64. 4. Warranty period or maximum write amount (TBW), whichever comes first. 5. High performance SLC cache has been enabled.

Ordering Information

Type	Model	Description
C970 PRO Series	DHI-SSD-C970PN1TB	M.2 2280 PCIe Gen4x4 SSD DHI-SSD-C970N1TB

Installation



Dimensions (mm[inch])

